

Neorest 500 Elongated Toilet/Bidet

FEATURES

- Cyclone® siphon jet flushing system, low consumption (1.2GPF/4.5LPF and 1.6GPF/6.0LPF)
- SanaGloss® ceramic glaze - SanaGloss glaze prevents debris, and mold from sticking to ceramic surfaces, leading to fewer chemicals and less water in cleaning.
- Auto lid open/close, auto flush
- Convenient remote control
- Adjustable heated seat
- Adjustable spray position
- Washlet with three wash modes (front, rear, soft)
- Oscillating and pulsing comfort washing
- Energy saver timer
- Built-in air purifying system

MODELS

- MS950CG
With SanaGloss ceramic glaze
- THU9329#01
Traditional style lid (sold separately)
Compatible with MS950CG#01

COLORS/FINISHES

- #01 Cotton
- #11 Colonial White
- #12 Sedona Beige

PRODUCT SPECIFICATION

The Neorest 500 uses our Cyclone flushing system toilet shall be 1.2GPF/4.5LPF and 1.6GOF/6.0LPF. Toilet shall have SanaGloss ceramic glaze. Toilet shall be of skirted design, elongated front bowl with auto open and close seat. Toilet shall be TOTO Model MS950CG_____.



SanaGloss

CYCLONE®
FLUSHING SYSTEM BY TOTO

CODES/STANDARDS

- Meets and exceeds ASME A112.4.2, ASME A112.19.2/CSA B45.1, ASME A112.18.1/CSA B125.1, UL 1431, CSA C22.2 # 68
- Certifications: IAPMO(cUPC), Intertek, State of Massachusetts, City of Los Angeles and others
- Code Compliance: UPC, IPC, NSPC, NPC Canada, and others



MS950CG

Neorest 500 Elongated Toilet/Bidet

SPECIFICATIONS

- Water Use: 1.6 Gpf/6.0 Lpf with alternate 1.2 Gpf/4.5 Lpf
- Flush System Cyclone Siphon Jet
- Water Supply: Min 8.7gal/min (33L/min) before installation
Max 80 PSI (0.55MPa) static
- Water Surface: 9-5/8" x 8-7/16"
- Trap Diameter: 2-1/8" (54 mm)
- Rough-in 12" (Standard)
- Trap Seal: 2-7/16" (62 mm)
- Warranty Three Year Limited Warranty (Residential)
One Year Limited Warranty (Commercial)
- Material: Bowl: Vitreous china
Seat and cover: Plastic
- Shipping Weight 90 lbs.
- Shipping Dimensions 34"L x 31"W x 21"H

Power Rating 120V AC, 60 Hz.1281W
Power Cord Maximum length: 3 ft (914 mm)
Water Feature Adjustable Water Flow Rate
Rear washing: from 9 to 14.5 oz/min.
Soft washing: from 9 to 14.5 oz/min.
Front washing: from 9.5 to 14.5 oz/min.

Temperature of Washing Spray
Minimum: 86° F/30° C
Maximum: 104° F/40° C

Safety Features: Temperature fuse,
Bi-metal sensor (auto reset), and
Float switch (prevent boil)

Drying Feature Air Temperature:
High: About 138°F/59°C
Medium: About 122°F/50°C
Low: About 104°F/40°C

Capacity of Air: 10.5 ft³/min

Safety Feature: Temperature Fuse

Seat Warming Feature Surface Temperature:
Minimum: 79° F/26° C
Maximum: 97° F/36° C

Seat Heater Capacity: 50W

Safety Feature: Thermal fuse

Deodorizer Air Purifying Feature Method: 0:
Air Volume: 5.5 ft³/min

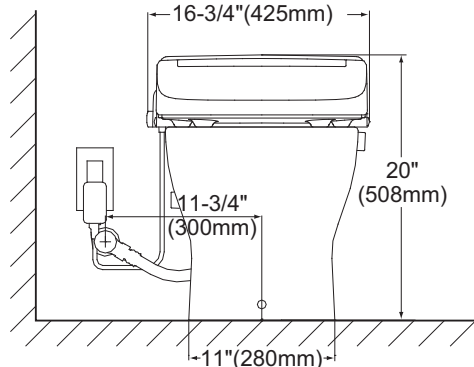
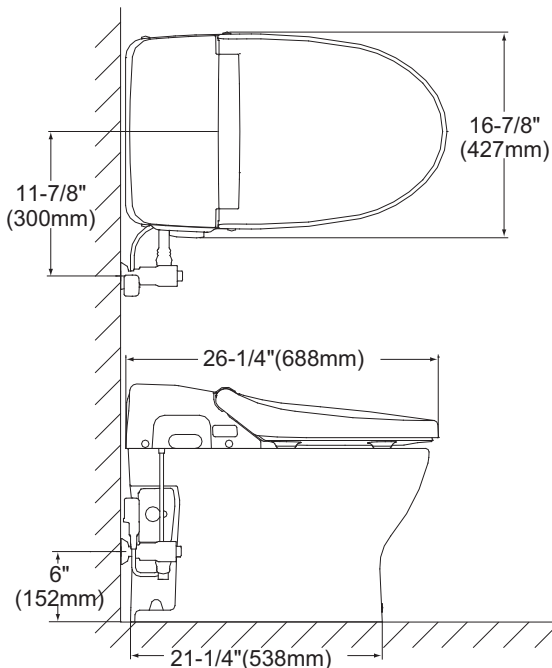
Water Supply Pressure Min: 10psi (0.07MPa) flowing
@ 5.3gal/min (20L/min)
Max: 80 psi

Ambient Temp Range 33°F/1°C to 104°F/63°C

Size 17" x 26.3" x 20"

Weight Net: 81.5 lbs.

Warning: If there is a base board in the restroom, the center of the floor drain should be a minimum of 12" from the base board.



TOTO

These dimensions and specifications are subject to change without notice